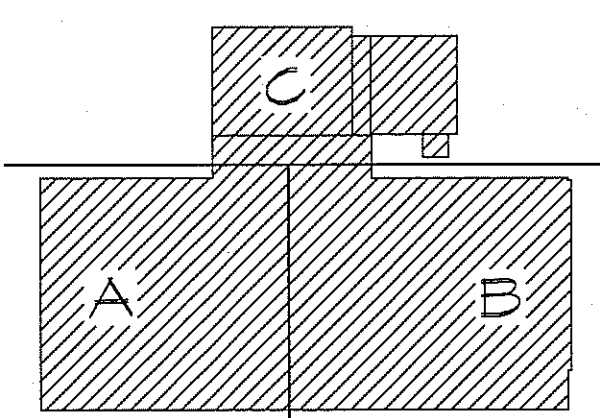
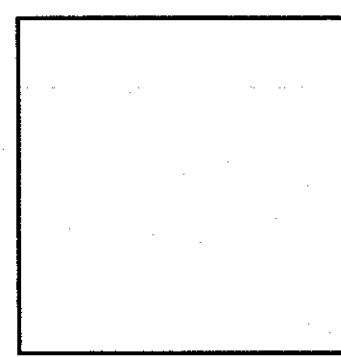


TORRADO
ARCHITECTS

35 GREENWICH ST.
PROVIDENCE, RI 02907
401.781.0633 P
401.781.0661 F



KEY PLAN



RENOVATIONS FOR:

**NARRAGANSETT
HIGH SCHOOL**

245 SOUTH PIER RD.
NARRAGANSETT, RI 02879
2007 - 2008 PROJECT

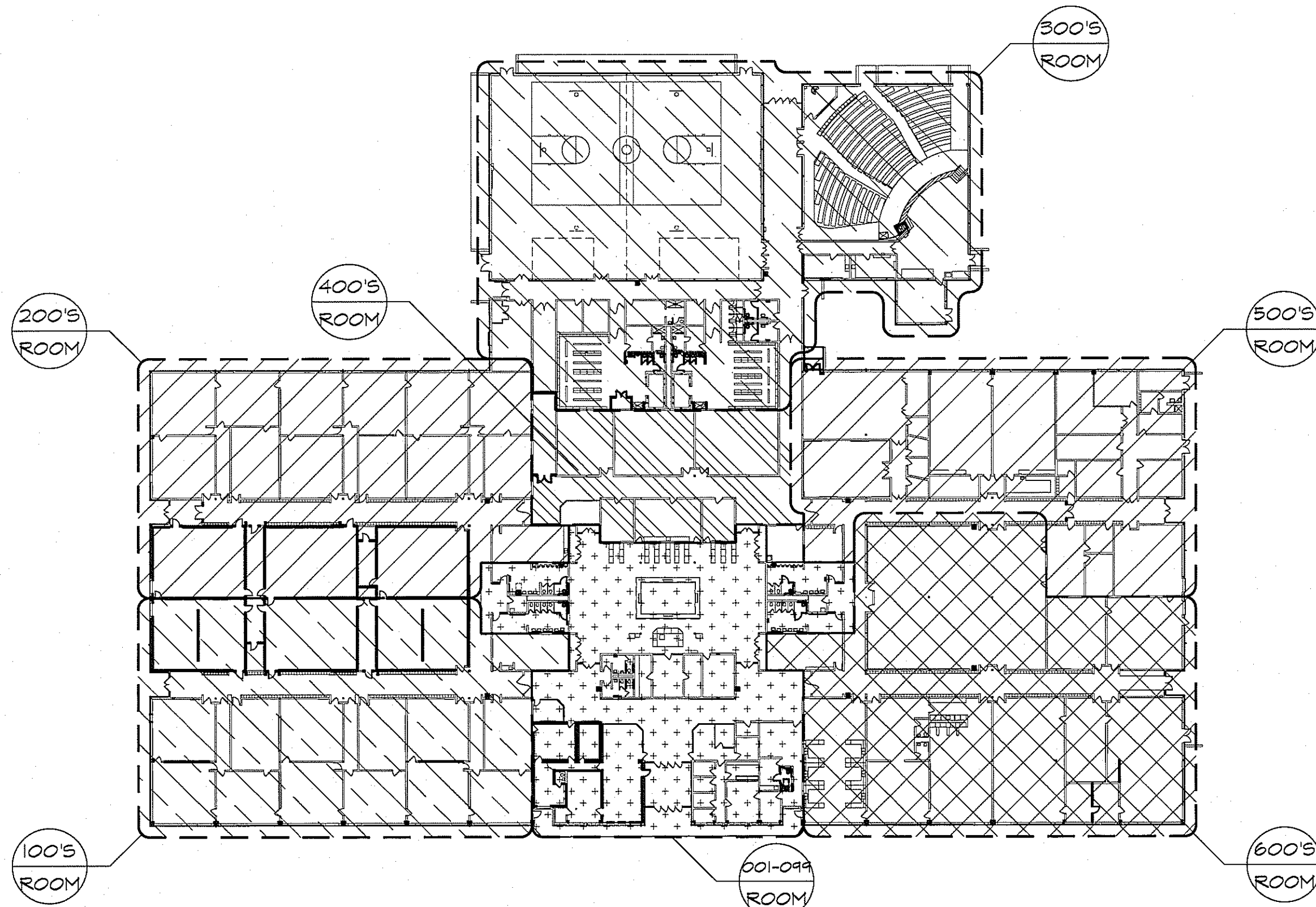
**ROOM
SIGNAGE
FLOOR PLAN**

DATE: REV. # DESCRIPTION
REVISIONS:

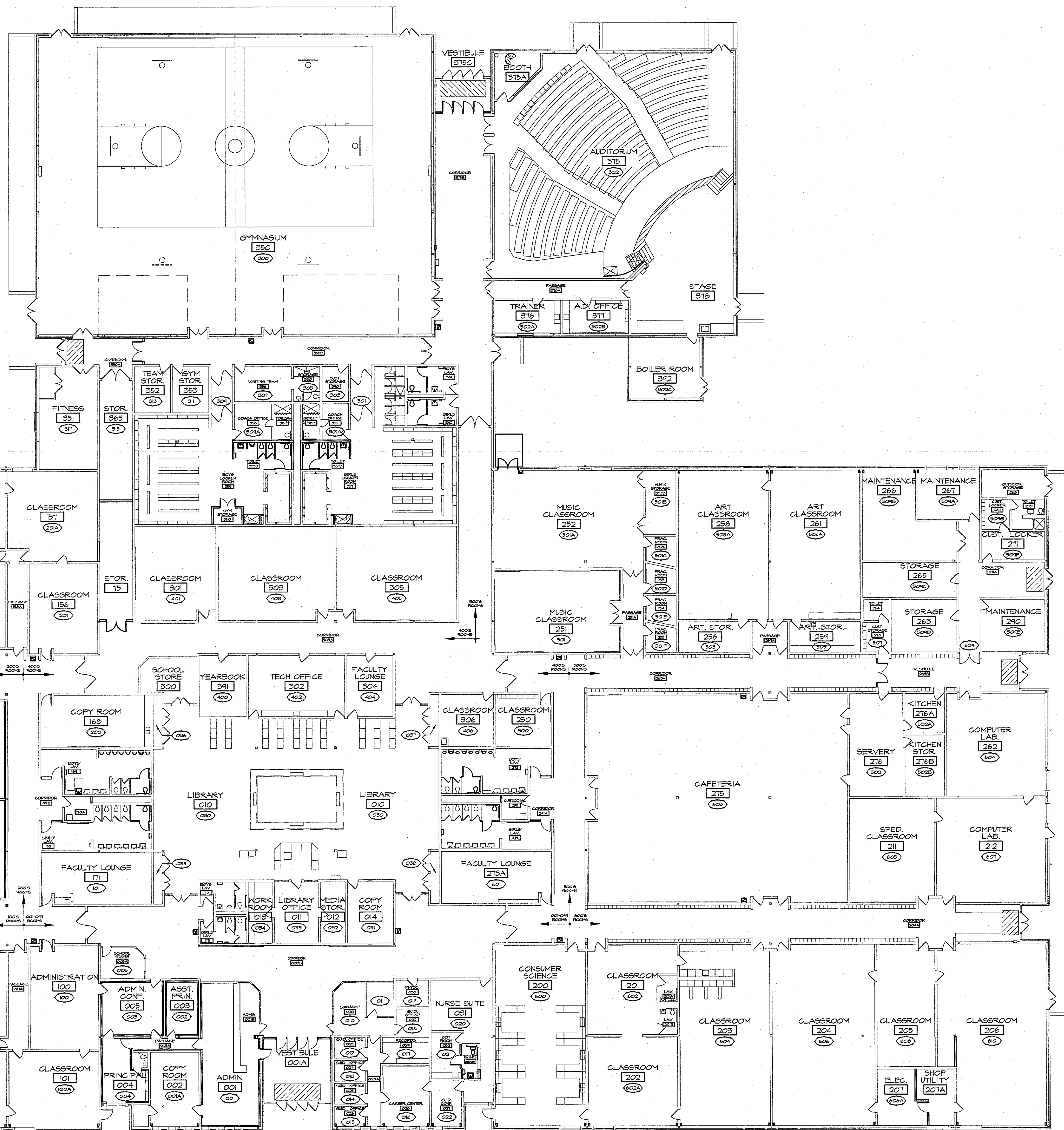
DATE: 11 APRIL 2008
DRWN: H.L.
SCALE: AS NOTED
CHECKED BY: L.A.T.

AS1.OH

SHEET OF



KEY FLOOR PLAN
SCALE: N.T.S.



2 ROOM SIGNAGE FLOOR PLAN
SCALE: 1/16" = 1'-0"

| SYMBOLS LIST | |
|----------------|--------------|
| XXXX | XXXX |
| EXIST ROOM TAG | NEW ROOM TAG |

ALL DRAWINGS, PLANS, REPORTS, SPECIFICATIONS, COMPUTER DATA FILES, FIELD NOTES AND ALL OTHER INFORMATION CONTAINED HEREIN ARE THE PROPERTY OF ASI.OH ARCHITECTS, A CORPORATION. NO PART OF THIS DOCUMENT SHALL BE REPRODUCED OR TRANSMITTED IN ANY FORM OR BY ANY MEANS, ELECTRONIC OR MECHANICAL, INCLUDING PHOTOCOPYING, RECORDING, OR BY ANY INFORMATION STORAGE AND RETRIEVAL SYSTEM, WITHOUT THE WRITTEN PERMISSION OF ASI.OH ARCHITECTS.